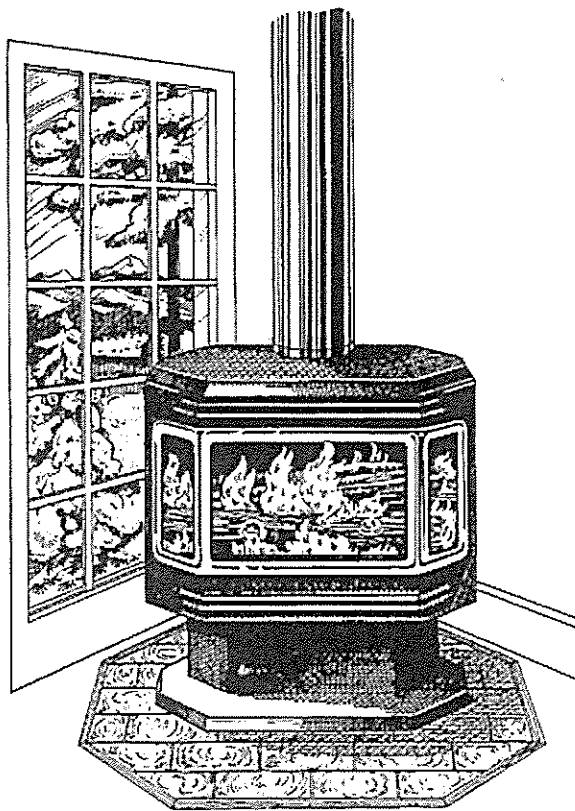




INSTALLATION AND OPERATING INSTRUCTIONS FOR THE F40 FREESTANDING GAS STOVE



**MODEL F40-NG NATURAL GAS
MODEL F40-LP PROPANE GAS**

LISTINGS AND CODE APPROVALS

The gas appliances have been tested in accordance with AG 103 and approved by the Australian Gas Association for installation and operation according to these instructions.

Your unit should be serviced annually by a qualified service person.

PLEASE KEEP THESE INSTRUCTIONS FOR FUTURE REFERENCE



IMPROPER INSTALLATION, ADJUSTMENT, ALTERATION, SERVICE OR MAINTENANCE CAN CAUSE INJURY OR PROPERTY DAMAGE. REFER TO THIS MANUAL FOR ASSISTANCE OR ADDITIONAL INFORMATION. CONSULT A QUALIFIED INSTALLER, SERVICE AGENCY OR THE GAS SUPPLIER.

FOR YOUR SAFETY

What to do if you smell gas ?

- 1) Open windows.
 - 2) Turn off main gas supply
 - 3) Do not touch any electrical switch
 - 4) Extinguish any open flames
 - 5) Immediately call your gas supplier
- Do not store or use gasoline or other flammable vapours and liquids in the vicinity of this or any other appliance.

MASPORT FREESTANDING GAS STOVE

TO THE NEW OWNER

Congratulations! You are the owner of a state-of-the-art Gas Stove by Masport Pty. Ltd. The Masport Gas Series of hand crafted appliances has been designed to provide you with all the warmth and charm of a woodstove, at the flick of a switch. As it also bears our own mark, it promises to provide you with economy, comfort and security for many trouble free years to follow. Please take a moment now to acquaint yourself with these instructions and the many features of your Masport Fireplace.

TABLE OF CONTENTS

TABLE OF CONTENTS

SAFETY LABEL		OPERATING INSTRUCTIONS	
Safety label	4	Operating instructions	14
		Lighting instructions	14
		Shutdown instructions	14
		First Fire	15
INSTALLATION INSTRUCTIONS			
General Safety Information	5		
Specifications	5		
Clearances to Combustibles	6		
Drafthood	6		
Fluing	6		
Fluing requirements	6		
Gas Connection	7		
Gas pressure test	7		
Aeration adjustment	7		
Specifications	7		
Optional brick panel installation	8		
Log Installation	8		
Test For Flue Spillage	10		
Optional wall thermostat	11		
Door Installation Door Latch	11		
Wiring Diagram	12		
Trouble Shooting	13		
		MAINTENANCE	
		Automatic Convention Fan Operation	15
		Maintenance instructions	15
		Log Replacement	16
		Gold plated Doors	16
		Glass Replacement	17
		Glass removal	17
		Door and Glass Gasket	17
		Parts List	17
		Fan maintenance	18
		Replacing fan	19
		Removing valve	19

SAFETY LABELS

Masport Gas Fireplace

Model	<input type="radio"/>	<input type="radio"/>	<input type="radio"/>	<input type="radio"/>
Gas Type	Nat	Prop	Nat	Prop
Model	F27NG GR57	F27LP GR57	F40NG U41	F40NG U41
Gas Consumption	27mj.	27mj.	39mj.	39mj.
Manifold Pressure	.875kpa	2.5kpa	.85kpa	2.5kpa
Injector Size -Front: -Back:	1x#41 n/a	1x#53 n/a	1x#49 1x#42	1x#56 1x#54
AGA Approval No. to Code AG103	5192	5192	5341	5341

Electrical Conforms to AS3100 240V 50Hz 1.0 amp Max.

Serial Number

908-578

Distributed by:

Masport Pty. Ltd
Industrial Drive
Braeside, Victoria. 3195

To be installed by
an authorized person in
accordance with
installation instructions
provided with the appliance



DO NOT OPERATE THIS APPLIANCE BEFORE READING THE INSTRUCTIONS BOOKLET.

DO NOT PLACE ARTICLES ON OR AGAINST THIS APPLIANCE

DO NOT STORE CHEMICALS OR FLAMMABLE MATERIALS, OR SPRAY AEROSOLS NEAR THIS APPLIANCE.

DO NOT OPERATE WITH PANELS, COVERS OR GUARDS REMOVED FROM THIS APPLIANCE.

DO NOT ENCLOSE THIS APPLIANCE

THE GUARD IS FITTED TO THIS APPLIANCE TO REDUCE THE RISK OR FIRE OR INJURY FROM BURNS AND NO PART OF IT SHOULD BE PERMANENTLY REMOVED.

FOR PROTECTION OF YOUNG CHILDREN OR THE INFIRM, A SECONDARY GUARD IS REQUIRED.

INSTALLATION INSTRUCTIONS

GENERAL INFORMATION

This installation must conform with local codes or, in the absence of local codes, with AG 601 or NZS 5261



THIS APPLIANCE SHOULD BE INSTALLED, REPAIRED, INSPECTED BEFORE USE AND AT LEAST ANNUALLY BY A QUALIFIED SERVICE PERSON. MORE FREQUENT CLEANING MAY BE REQUIRED, DUE TO EXCESSIVE LINT FROM CARPETING, ETC. IT IS IMPERATIVE THAT CONTROL COMPARTMENT, BURNERS AND CIRCULATING AIR PASSAGeways OF THE APPLIANCE BE KEPT CLEAN.



DUE TO HIGH TEMPERATURES, THE APPLIANCE SHOULD BE LOCATED OUT OF TRAFFIC AND AWAY FROM FURNITURE AND DRAPERIES.



THIS APPLIANCE CAN ONLY BE FLUED IN ACCORDANCE WITH AG 601 NZS 5261 (NZ) OR LOCAL CODES.



FAILURE TO INSTALL THIS APPLIANCE CORRECTLY MAY CAUSE A SERIOUS HOUSE FIRE.

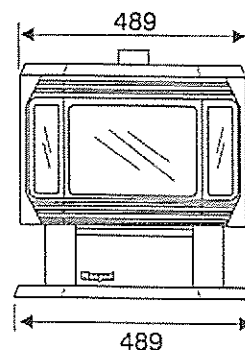
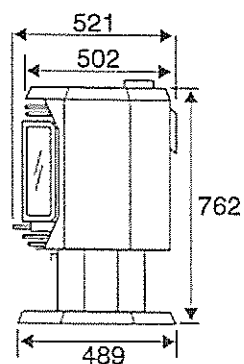
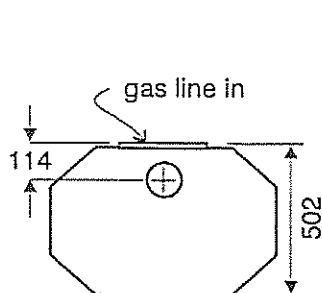
Provide adequate clearances for servicing, proper operation and around the air openings into the combustion chamber. Adequate combustion and ventilation air must also be provided.

The appliance must be installed on a flat, solid, continuous surface (i.e. wood, metal, concrete). This may be the floor, or it can be raised up on a platform to enhance its visual impact.

The Masport Freestanding Gas Stove can be installed in a wide variety of ways and will fit nearly any room layout. It may be installed in a recessed position, framed out into the room, or across a corner.

We recommend that you plan your installation on paper using exact measurements for clearances and floor protection before actually installing this appliance. If an existing chimney is not utilised, position the appliance to allow free passage of factory-built listed chimney through the ceiling and roof. Have a qualified building inspector review your plans before installation.

SPECIFICATIONS



ALL DIMENSIONS ARE IN MILLIMETERS

INSTALLATION INSTRUCTIONS

CLEARANCES TO COMBUSTIBLES

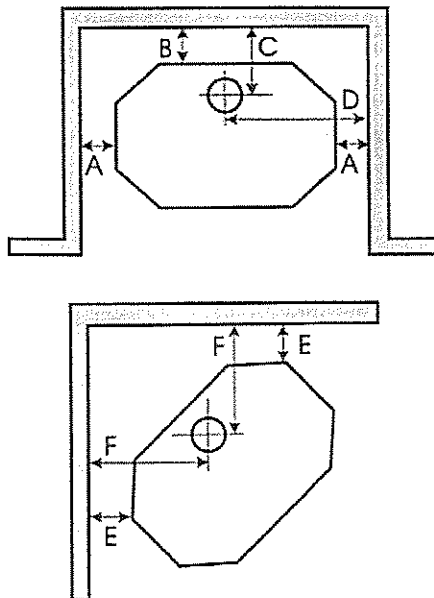
The clearances listed below in Figures 2 and 3 are **MINIMUM** distances. Measure the clearance to both the appliance and the chimney connector. The farthest distance is correct if the two clearances do not match.

For example, if the appliance is set as indicated in one of the figures but the connector is too close, move the stove until the correct clearance to the connector is obtained.

This appliance may be installed only with the clearances as shown in the situations pictured. Do not combine clearances from one type of installation with another in order to achieve closer clearances.

Use the minimum clearances shown in the diagrams below for installation with B type flue system.

A	Side wall to unit	190mm
B	Back wall to unit	155mm
C	Back wall to center of flue	265mm
D	Side wall to center of flue	560mm
E	Side wall to unit	50mm
F	Side wall to center of flue	280mm



Minimum ceiling height is 1370mm from top of unit.

If further reduced clearances are needed, obtain requirements for construction of a protected wall from your local Masport agent.

DRAFT HOOD

The heater has a draft hood built into its back. It must not be altered or obstructed, and the unit must be installed so that the draft hood is in the same atmospheric pressure zone as the combustion air inlet to the burner.

FLUING

This heater is a flued appliance and must be connected to a chimney/flue in accordance with the installation codes.

Note: The rear cover plate is only attached when outside air is being used. Do not install it when using room air for combustion.

For your safety this heater is equipped with a flue safety switch designed to sense incorrect fluing and react by shutting down the gas supply. This thermally actuated switch is located within the draft hood and will detect either a blocked chimney or backdraft condition where the chimney flow has reversed.

FLUING REQUIREMENTS

A minimum 100mm diameter flue is required. B-Vent, Class A or Masonry with a liner are all acceptable. For cosmetic or aesthetic purposes 125mm or 150mm outer casing can be used as long as an approved inner flue is installed. Follow all flue manufacturer's requirements and local building codes. For altitudes above 2000 ft. we recommend that a minimum flue height of 3.6m is used.

INSTALLATION INSTRUCTIONS

GAS CONNECTION

The gas connection is 3/8" SAE 45 deg flared elbow and easily accessible by removing the pedestal cover plate. The gas line can be ridged pipe.

NOTE: During any pressure testing of the gas supply piping system that exceeds test pressures of 3.45 kPa this appliance and its individual shut-off valve must be disconnected from the piping system. If test pressures equal to or less than 3.45 kPa are used then this appliance must be isolated from the piping system by closing its individual manual shut-off valve during the testing.

A 1/8" test point is provided on the gas control valve. It is located near the outlet to the Main Burner immediately upstream of the gas supply connection to the appliance, and is easily accessible for a test gauge connection.

GAS PRESSURE TEST

The unit is preset to give the correct heat input at the specified manifold pressures shown in the Specification table on this page. The maximum heat input is 38 mj.

The manifold pressure is controlled by a regulator built into the gas control, and should be checked at the pressure test point. This is a 1/8" NPT plugged tapping located on the gas control, near the outlet to the main burner.

The pressure check should be carried out with the unit burning and the setting should be with the limits specified in the Specifications Page 7

AERATION ADJUSTMENT

The burner aeration is factory set but may need adjusting due to either the local gas supply or altitude. As a general rule if the flame is too yellow open up the air shutter, if it is too blue close the air shutter.

INSTALLATION IS TO BE CARRIED OUT ONLY BY AN AUTHORISED PERSON

SPECIFICATIONS				
	Natural Gas		Propane	
Injector size	Front #49	Rear #42	Front #56	Rear #54
Input rating	38mj		38mj	
Manifold pressure	.085 kPa		2.5 kPa	

INSTALLATION INSTRUCTIONS

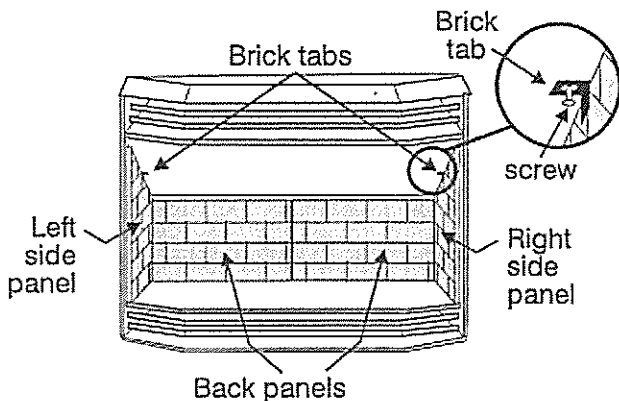
OPTIONAL BRICK PANEL INSTALLATION

The optional Brick Panel Kit contains the following:

- a) Left side panel -Part # 902-165
- b) Right side panel-Part # 902-166
- c) Left rear panel -Part # 902-167
- d) Right rear panel-Part # 902-168

(Set of all four panels-Part # 610-923)

- 1) Unwrap the brick pattern panels from the protective wrapping.
- 2) Open the door and position the back panels first, then the two side panels. Slide the side brick panel into place from the front of the firebox, there are 2 tabs to hold the panel in place, one on each side.
- 3) The brick panels should be tight against the firebox sides and back.



Note: Use caution when sliding the side panels in as they can easily be scratched by the hard component parts.

LOG INSTALLATION

WARNING: Dangerous operating conditions may occur if these logs are not positioned in their approved locations. Read the instructions below carefully and refer to the diagrams. If logs are broken do not use the unit until they are replaced. Broken logs can interfere with the pilot operation and cause an explosion.

The gas log kit contains the following:

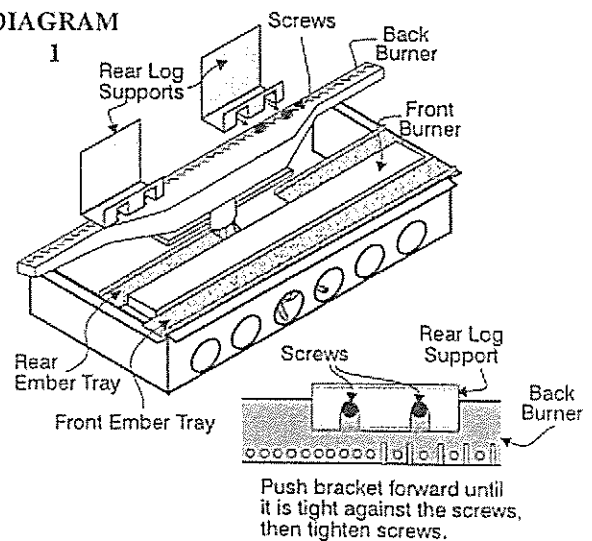
- a) Front Log - Part # 902-161
- b) Rear Log (with knot) - Part # 902-160
- c) Small Cross Logs (2) - Part # 902-162
- d) Embers - Part # 650-934
- e) Rear log supports (2)
- f) Log Pins (4) 90mm -Part # 904-591

(Part # 650-932 for the set of four logs)

1) Log Stand Installation

- a) Loosen the 4 screws in the top of the rear burner.
 - b) Slide the two rear log support brackets into position as shown in diagram 1.
 - c) Push the rear log support brackets tight against the screws and then tighten down the screws.
- 2) Remove the logs from the heater and carefully unwrap them. The logs are fragile, handle with care - DO NOT FORCE into position.

DIAGRAM



INSTALLATION INSTRUCTIONS

- 3) Place embers along full length of the front burner tray. Put the embers on top of the front burner but **keep embers clear of the pilot** and make sure the embers do not prevent the front log from sitting properly on the front log stands. See Dia.2. **Do not put any embers in the rear ember tray.**

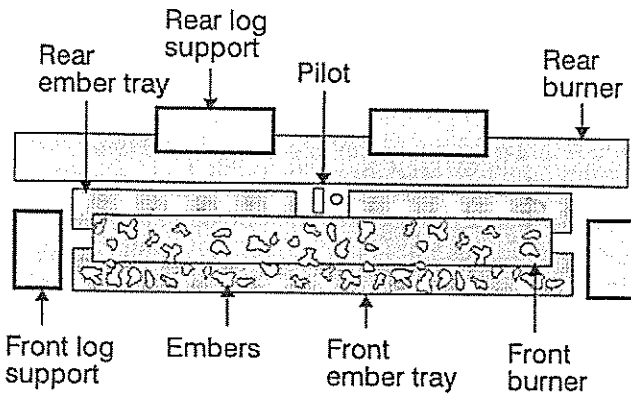


DIAGRAM 2:
TOP VIEW

- 5) Carefully place the rear log (with no cutouts) so it rests on the rear supports (with the flat part of the log to the back) and then push the log flush against the back. Center the log, relative to the rear burner. The knot in the log should sit just to the right of center. See dia. 3, 4 & 5.

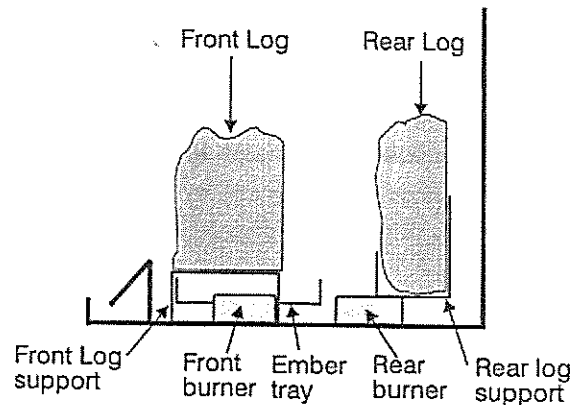
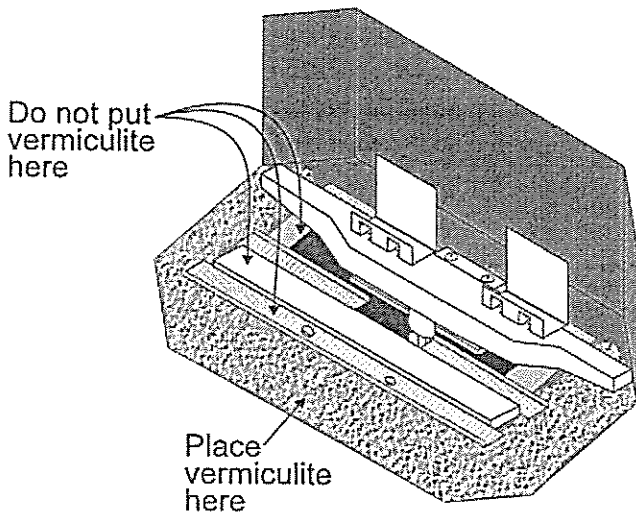


DIAGRAM 3:
SIDE VIEW

- 4) Take the vermiculite and sprinkle it to cover the bottom of the stove. Do not put it on the burner, the ember tray or in the burner tray.



- 6) Place the front log (with the cutouts) on the two front log supports, the log must be even with the front edge of the supports. See dia. 3 & 4.

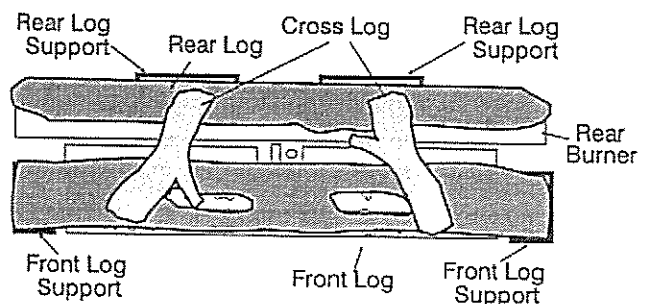
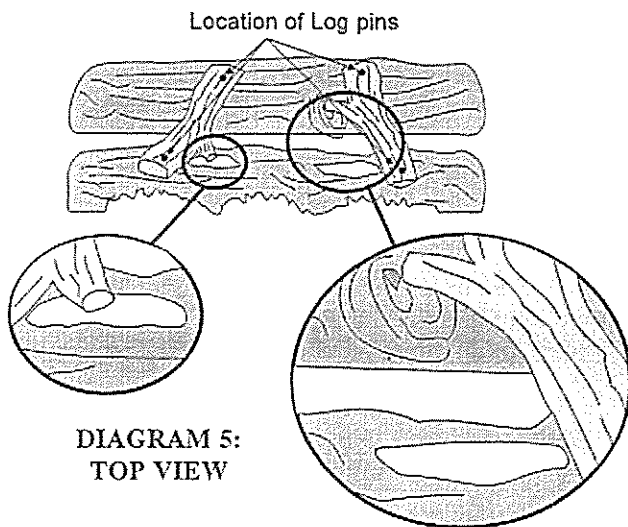


DIAGRAM 4:
TOP VIEW

INSTALLATION INSTRUCTIONS

- 7) The cross logs must be positioned on the front and rear logs as shown in diagram 4 & 5. Incorrectly positioned cross logs will affect the flame pattern and proper operation of the unit. Use the two top holes in the front for positioning. The inside edge of the left log is even with the left edge of the hole. The inside edge of the right log is even with the right edge of the hole and the "thumb" is centred above the knot in the rear log.
- 8) Press the 4 log pins into the top of the cross logs in the positions shown in diagram 5. Make sure the pins go all the way through to the bottom logs. Recess the pins into the top logs so they do not show out the top.



OPTIONAL WALL THERMOSTAT INSTALLATION

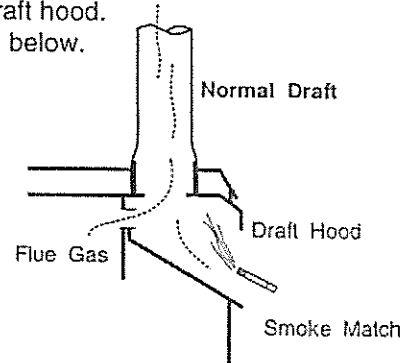
A wall thermostat may be installed if desired, follow the wiring diagram next page. See your Masport dealer for correct type.

TEST FOR FLUE SPILLAGE

A "spillage" test must be made before the installed unit is left with the customer. Follow the procedure below:

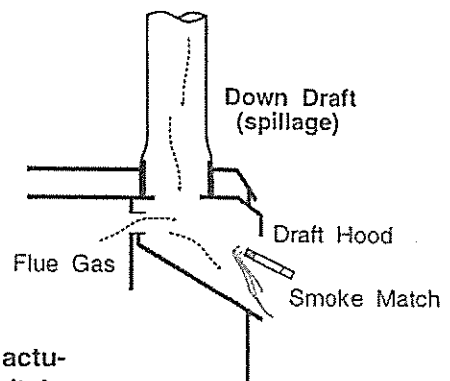
- 1) Start all exhaust fans in the home and then close all doors and windows in the room.

- 2) Light the unit and set controls to maximum.
- 3) After five minutes, test that there is a "pull" on the flue by placing a smoke match, cigarette or similar device which gives off smoke, on the edge of the draft hood. See diagrams below.

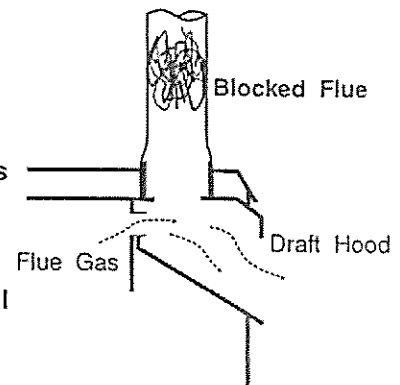


The smoke should be drawn into the draft hood, if it does not, leave the unit for a further five minutes and retest as above. If the smoke is still not drawn into the draft hood, turn the unit off and check for the cause of the lack of draft. If necessary, seek expert advice.

Note: If the flue is blocked or has a strong reverse flow, the thermally actuated safety switch mounted in the draft hood will automatically shut off the gas supply within about 10 minutes. If the heater turns off because of this during the spillage test, check for the cause of the lack of draft and if necessary, seek expert advice.

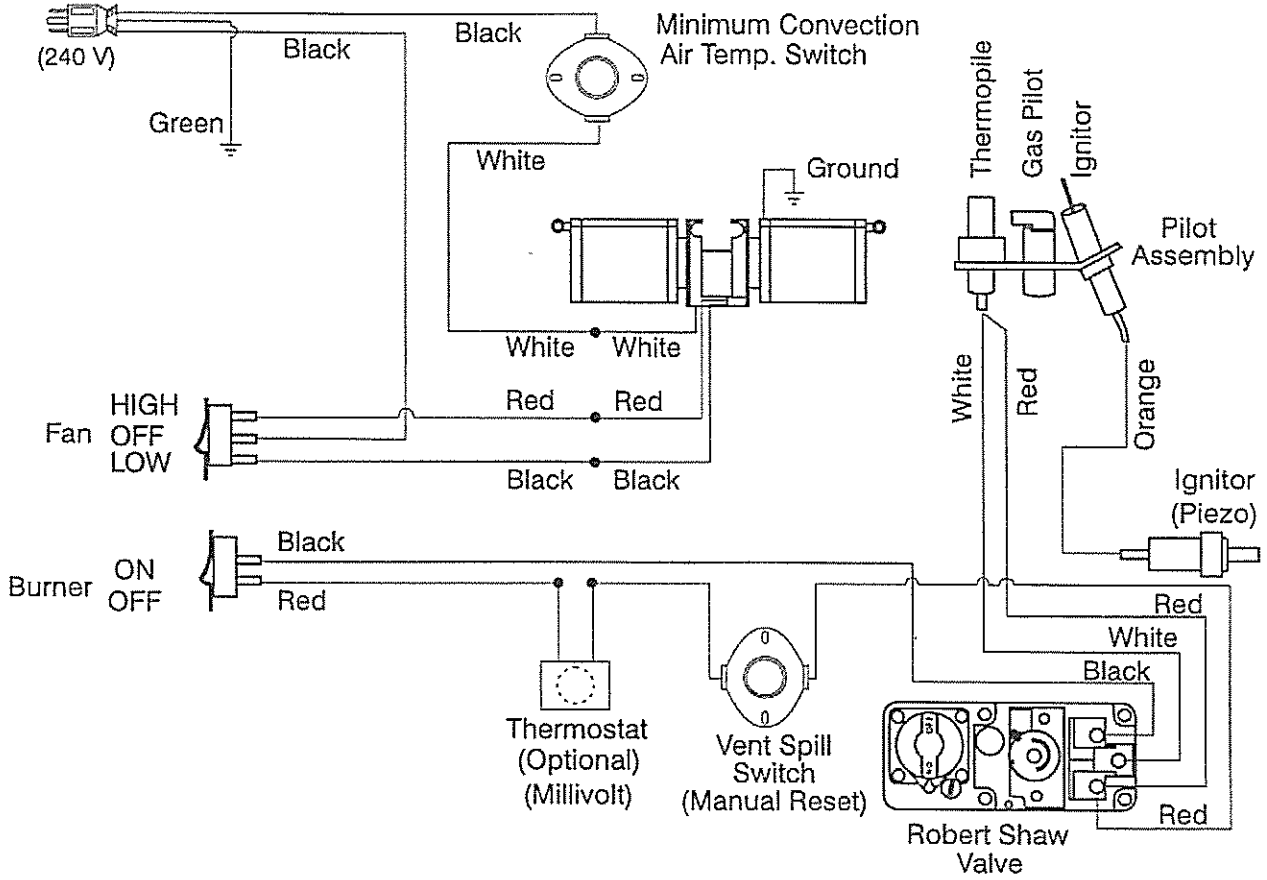


The thermally actuated safety switch must be manually reset after the stove has reduced in temperature. The switch will continue to cycle until the draft problem is corrected.



INSTALLATION INSTRUCTIONS

WIRING DIAGRAM



INSTALLATION INSTRUCTIONS

TROUBLE SHOOTING MASPORT GAS SPACE HEATER		
SYMPTOM	PROBABLE CAUSE	CORRECTIVE ACTION
1) Thin black coating [soot] forms on viewing glass.	a) Incorrect gas pressure b) Not enough combustion air	Check and correct gas pressure if sooting continues open eration shutter on burner. Note: To clean glass, remove and wipe with cloth or paper towel
2) A change in flame appearance or burner operations	a) A change in gas pressure b) Carbon dirt or lint	Check gas pressure. Clean out carbon, spider webs, lint etc. from burner area.
3) No air flow	a) Fan failure	Check and replace fan switch Check and replace thermodisc Check and replace fan assembly
4) Burners will not light.	a) Pilot flame out b) Control knob on pilot	Relight [follow lighting procedure completely] page 16
5) Pilot goes out.	a) Check thermocouple voltage TBA mil volts on pilot TBA mil volts when main burner is on	Adjust pilot flame Thermopile, check and replace if faulty



SERVICE SHOULD BE CARRIED OUT BY AUTHORIZED PERSONNEL ONLY

ABNORMAL OPERATION

if main burner does not light but pilot stays on, shut down heater and contact your dealer. if excessive carbon on logs or glass contact your dealer for service.

THE MAJOR CAUSE OF OPERATING PROBLEMS WITH GAS HEATERS IS IMPROPER GAS PRESSURE

Such problems as changes in flame colour or configuration, burner outages, intermittent operations, changes in heat output, excessive burner noise, are

nearly always the result of changes in gas pressure or improper gas pressure at time of installation. THE MOST IMPORTANT ITEM TO CHECK DURING THE INSTALLATION AND THE FIRST THING TO CHECK WHEN PROBLEMS OCCUR IS GAS PRESSURE.

CHECK DATA PLATE FOR CORRECT PRESSURE SETTINGS

INCORRECT INSTALLATION OR GAS PRESSURE SETTINGS ARE NOT COVERED BY WARRANTY, A SERVICE OR CALL OUT FEE WILL BE CHARGED IN THESE CIRCUMSTANCES

OPERATING INSTRUCTIONS

OPERATING INSTRUCTIONS

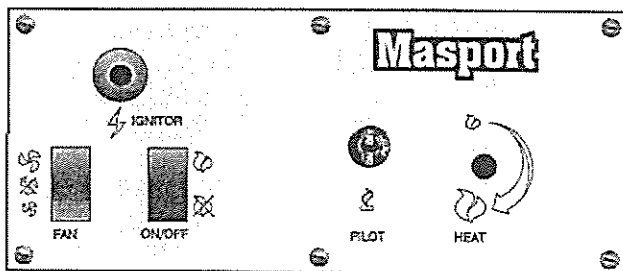
Before operating this appliance, proceed through the following check list.

- 1) Read and understand these Instructions before operating this appliance.
- 2) Check to see that all wiring is correct and enclosed to prevent possible shock.
- 3) Check to ensure there are no gas leaks.
- 4) Make sure the three pieces of door glass are properly positioned. Never operate the appliance with the glass or the safety screen removed.
- 5) Verify that all venting and the cap is unobstructed.
- 6) Verify log placement. If the pilot cannot be seen when lighting the unit - the logs or the embers have been incorrectly positioned.
- 7) The unit should never be turned off and on without a minimum of a 60 second wait.

LIGHTING INSTRUCTIONS

IMPORTANT: The PILOT knob cannot be turned from *pilot* to *off* unless it is partially depressed.

- 1) If the PILOT knob is in the *off* position proceed to Step 4.
- 2) Push in PILOT knob slightly and turn clockwise to *off*. Knob cannot be turned from *pilot* to *off* unless knob is pushed in slightly. Do not force.



- 3) Wait five minutes to allow gas, that may have accumulated in the main burner compartment, to escape. If you smell gas, follow the instructions on the front of this manual. If you don't smell gas continue on to the next step.
- 4) Turn the PILOT knob clockwise to *pilot*.
- 5) Push in PILOT knob all the way in and hold. Immediately push red IGNITOR button until pilot lights. Continue to hold the PILOT knob in for approximately one minute, then release the PILOT knob. The pilot flame should continue to burn. If the pilot does not remain lit, repeat operation allowing a longer period before releasing PILOT knob.
- 6) Turn PILOT knob counter clockwise to *on*.
- 7) Use the ON/OFF switch to turn on the burner.
- 8) Rotate the HEAT control to adjust the flame height *higher* or *lower*.
- 9) The door of the unit must be closed when in operation.

SHUTDOWN INSTRUCTIONS

- 1) Use the rocker switch to turn off the main burner.
- 2) Push in the gas control knob slightly and turn clockwise to "OFF". Do not force.
- 3) Turn off all electric power to the appliance if service is to be performed.

FIRST FIRE

The first fire in your stove is part of the paint curing process. To ensure that the paint is properly cured, light the unit and leave it on for 5 minutes and let it cool down for 30 minutes. Repeat 3 or 4 times. When first operated, the unit will release an odour caused by the curing of the paint, the burning off of any oils remaining from manufacturing and burning off the starch in the gas logs.

The glass panel will require cleaning after the unit has cooled down. **DO NOT ATTEMPT TO CLEAN THE GLASS WHILE IT IS HOT.**

MAINTENANCE

FIRST FIRE

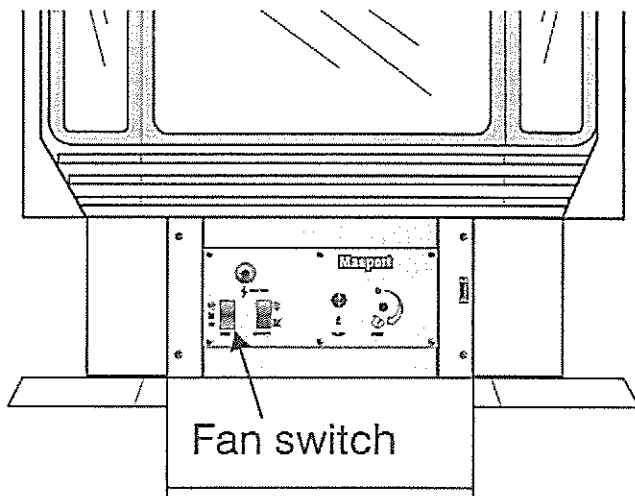
The first fire in your stove is part of the paint curing process. To ensure that the paint is properly cured, light the unit and leave it on for 5 minutes and let it cool down for 30 minutes. Repeat 3 or 4 times. When first operated, the unit will release an odour caused by the curing of the paint, the burning off of any oils remaining from manufacturing and burning off the starch in the gas logs.

The glass panel will require cleaning after the unit has cooled down. **DO NOT ATTEMPT TO CLEAN THE GLASS WHILE IT IS HOT.**

AUTOMATIC CONVECTION FAN OPERATION


Push the FAN switch to either **high** or **low** to activate the fan. Depending on the temperature of the unit, the fan may take 5-15 minutes to turn on. Push the FAN switch to the **off** position to deactivate the fan.


After the stove has been turned off the fan may continue to run. When the stove has cooled down the fan will automatically shut off.




MAINTENANCE INSTRUCTIONS

- 1) Always turn off the valve before cleaning. For relighting, refer to lighting instructions. Keep the burner and control compartment clean by brushing and vacuuming at least once a year. When cleaning the logs, use a soft clean paint brush as the logs are fragile and easily damaged.
- 2) Clean glass (never when unit is hot), appliance, louvers and door with a damp cloth. Never use an abrasive cleaner. The gold louvers (and optional gold door) may be scratched if abrasives are used to clean them. The heater is finished in a heat resistant paint and should only be refinished with heat resistant paint (not with wall paint). Masport uses Stove Brite Paint - Metallic Black #6309.
- 3) Make a periodic check of burner for proper position and condition. Visually check the flame of the burner periodically, making sure the flames are steady; not lifting or floating. If there is a problem, call a qualified service person.
- 4) The appliance and venting system must be inspected before use, and at least annually, by a qualified field service person, to ensure that the flow of combustion and ventilation air is not obstructed. During the annual service call, the burners should be removed from the burner tray and cleaned. Replace the embers - do not block the pilot.
- 5) Keep the area near the appliance clear and free from combustible materials, gasoline and other flammable vapours and liquids.

 CHILDREN AND ADULTS SHOULD BE ALERTED TO THE HAZARDS OF HIGH SURFACE TEMPERATURE AND SHOULD STAY AWAY TO AVOID BURNS OR CLOTHING IGNITION. YOUNG CHILDREN SHOULD BE CAREFULLY SUPERVISED WHEN THEY ARE IN THE SAME ROOM AS THE APPLIANCE.

 ANY SAFETY SCREEN OR GUARD REMOVED FOR SERVICING AN APPLIANCE MUST BE REPLACED PRIOR TO OPERATING THE APPLIANCE.

 CLOTHING OR OTHER FLAMMABLE MATERIAL SHOULD NOT BE PLACED ON OR NEAR THE APPLIANCE.

MAINTENANCE

- 6) Each time the appliance is lit, it may cause condensation and fog the glass. This condensation and fog is normal and will disappear in a few minutes as the glass heats up.

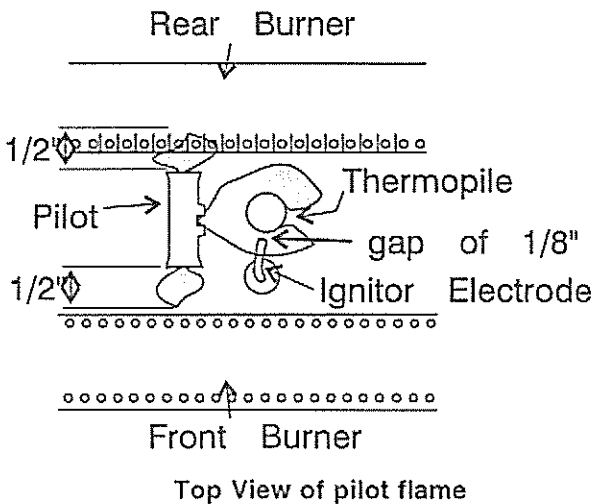
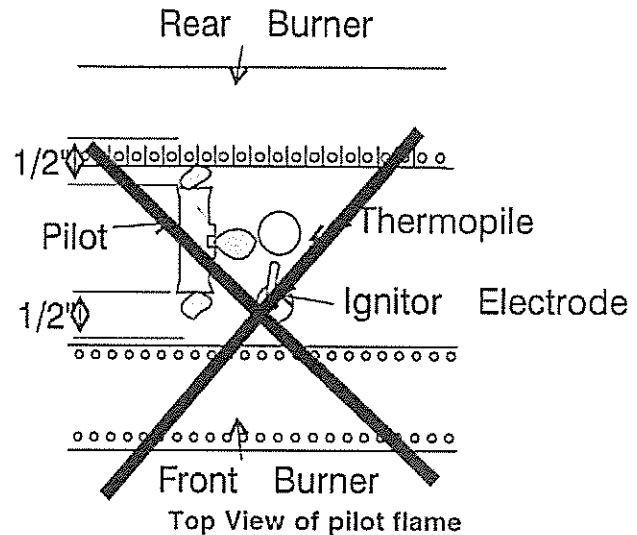
Never operate the appliance without the glass properly secured in place or with the door open.

- 7) Periodically check the pilot flames, there should be three strong blue flames approx. 1/2" long - 1 flame to the front burner, 1 to the rear burner and 1 to the thermopile. See diagrams below.

If you have an incorrect flame pattern, contact your Masport dealer for further instructions.

Correct flame pattern has three strong blue flames: 1 flowing around the thermopile and ignitor electrode, 1 flowing across the rear burner and 1 reaching towards the front burner (it does not have to be touching the burner).

Incorrect flame pattern will have small, probably yellow flames, not coming into proper contact with the rear burner or thermopile.



LOG REPLACEMENT

The unit should never be used with broken logs. Turn off the gas valve and allow the unit to cool before opening door to carefully remove the logs. The pilot light generates enough heat to burn someone. If for any reason a log should need replacement, you must use the proper replacement log. The position of these logs must be as shown in the diagram under Log Installation.

NOTE: Improper positioning of logs may create carbon build-up and will alter the unit's performance which is not covered under warranty.

GOLD-PLATED DOORS

The 24 carat gold plated finish on the door requires little maintenance, and need only be cleaned with a damp cloth. DO NOT use abrasive materials or chemical cleaners, as they may harm the finish and void the warranty. Clean any fingerprints off before turning the unit on. If the door starts to discolor, check the gasket seal and replace if necessary.

MAINTENANCE

GLASS REPLACEMENT

Your Masport stove is supplied with high temperature, 5 mm Neoceram ceramic glass that will withstand the highest heat that your unit will produce. In the event that you break your glass by impact, purchase your replacement from an authorized Masport dealer only, and follow our step-by-step instructions for replacement.

GLASS REMOVAL

- 1) Remove the door from the unit and place on a soft surface to prevent scratching.
- 2) Pull out the door gasket.
- 3) Remove the nuts holding the glass retainers in place.
- 4) Remove the glass retainers (sides, top and bottom) and the door catch plate.
- 5) Replace the glass. **The glass must have gasketing around it.**
- 6) Reverse the previous steps, replace the retainers and fasten with the nuts but do not overtighten, as this can break the glass. Note: the door catch plate fits on top of the left side retainer.

- 7) Put gasket glue on the retainers, but do not put glue on the screws. Replace the door gasket, the two ends butt tight together on the bottom edge of the door.
 - 8) Replace door on the stove and check the seal.
-

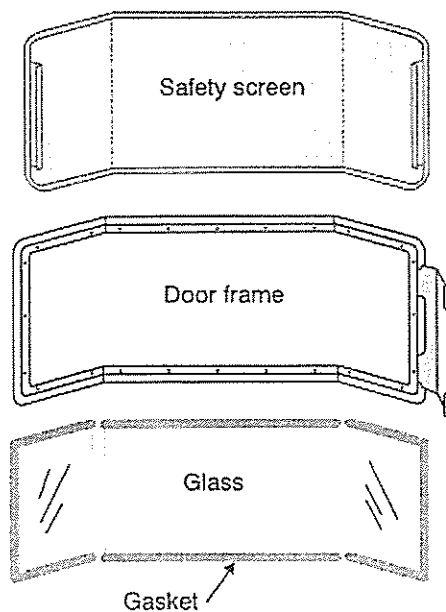
DOOR AND GLASS GASKET

If the door gasket requires replacement use 7/8" diameter oval door gasket (Part # 650-920). The glass requires 5/8" flat glass gasket (Part # 846-530). See your Masport Dealer.

PARTS LIST

650-915	Fan Assembly
650-920	Door Gasket
650-932	Log Set
650-934	Embers
650-950	Front Burner
650-952	Rear Burner
650-960	Valve Assembly - Natural Gas
650-962	Valve Assembly - Propane
846-327	Mitred Door -Large Center Glass
846-328	Mitred Door -Small Side Glass

Mitred door

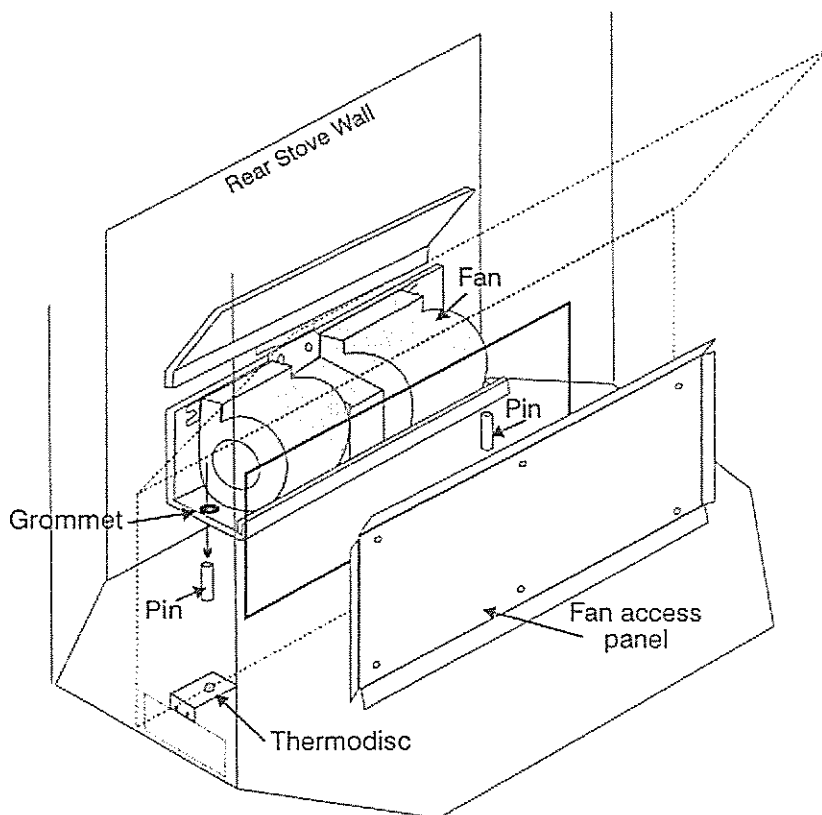
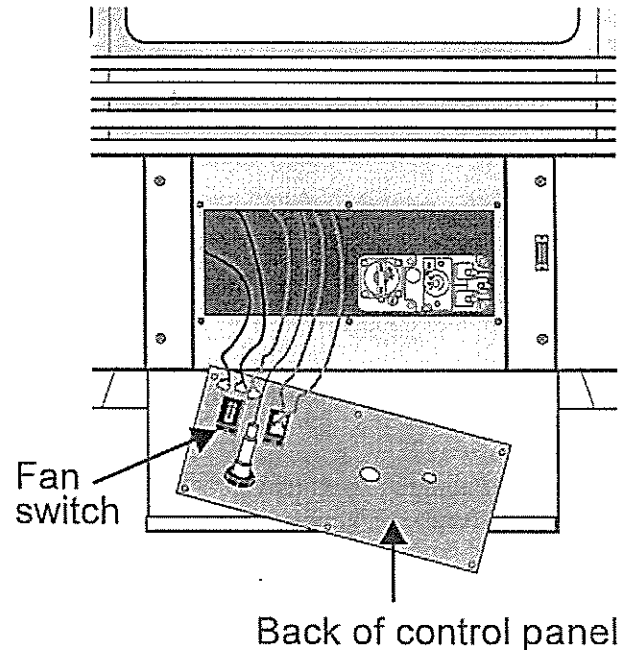


FAN MAINTENANCE

If your fan requires maintenance or replacement, access to the fan is through the plate on the rear wall of the firebox. **NOTE: the unit MUST NOT be operated without the fan access panel securely in place and correctly sealed.**

To remove fan:

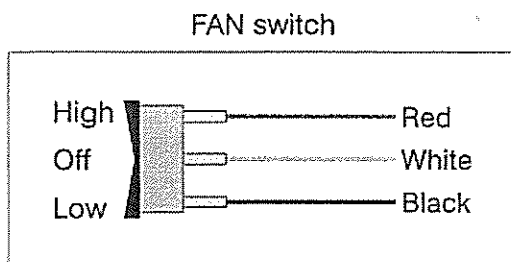
- 1) Unplug or disconnect power source to stove.
- 2) Remove all logs and the rear log supports, then remove the 12 screws holding the access panel in place.
- 3) Open the left side door and disconnect the white wire from the thermodisc.
Note: If replacing the thermodisc, it must be touching the bottom of the firebox to operate properly.
- 4) Remove the green ground wire from the fan bracket.
- 5) Open pedestal door and remove the six screws holding the control panel on. Disconnect the three wires from the back of the fan switch (marked with a "2").
- 6) Lift fan off of the 2 pins, tip forward and pull through firebox opening.
- 7) Disconnect green wire from power cord.



MAINTENANCE

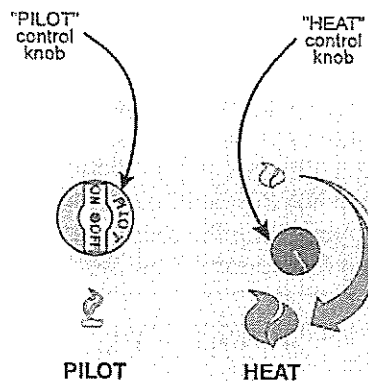
REPLACING FAN:

Reverse steps (1-7 on removing the fan). Always install a new gasket before replacing the fan access panel (Part# 620-970). Make sure the fan switch wires are reattached in the correct colour sequence. See diagram below. The wires are also marked with a #2.



Hint for pushing fan down onto pins - rub a bit of dish soap on the grommet so it will slide more easily onto the pin. Check to make sure the fan is seated properly on the pins - try to move the fan back and forth, there should be no noise, if there is check that the grommets haven't come loose.

- 2) Remove "Heat" control knob. It should come off easily by just pulling gently toward you.
- 3) Remove "Pilot" knob. You must remove the screw in the center of the "Pilot" knob and then pull toward you.
- 4) Undo the six screws holding the control panel in place.

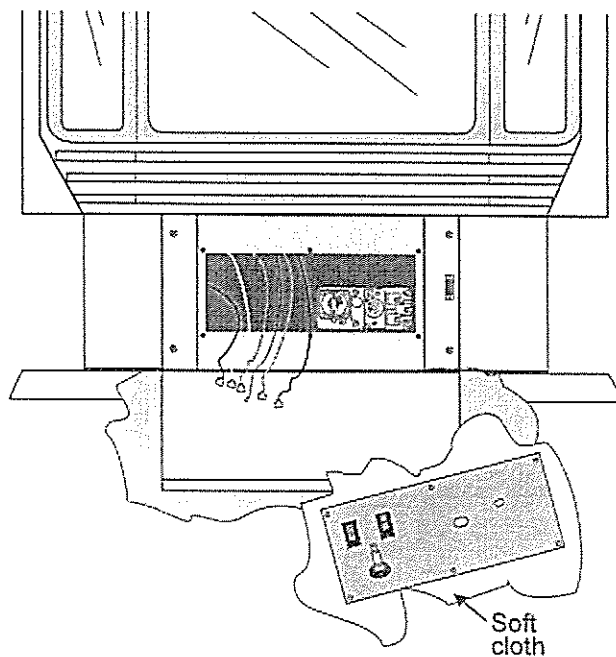
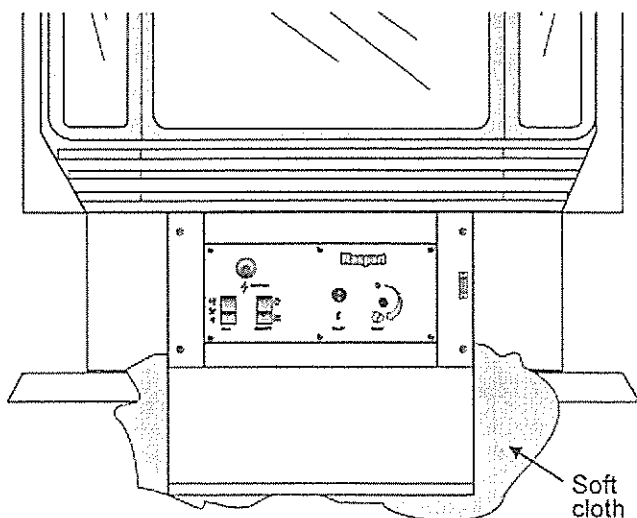


- 5) Disconnect all wires from the back of the panel and then remove panel. You should lay the panel on a soft cloth so it doesn't get marked up. See diagram below.

REMOVING VALVE

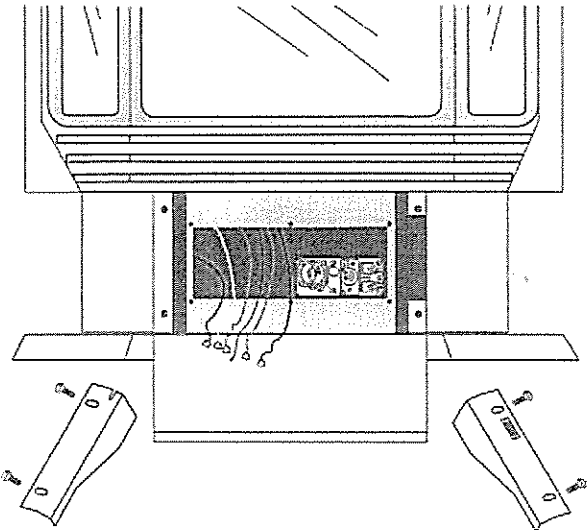
If your valve requires maintenance or replacement, follow instructions that follow:

- 1) Open front pedestal door. You may want to put a soft cloth on the base of the unit so that when the pedestal door is open it doesn't scratch the paint. See diagram below.

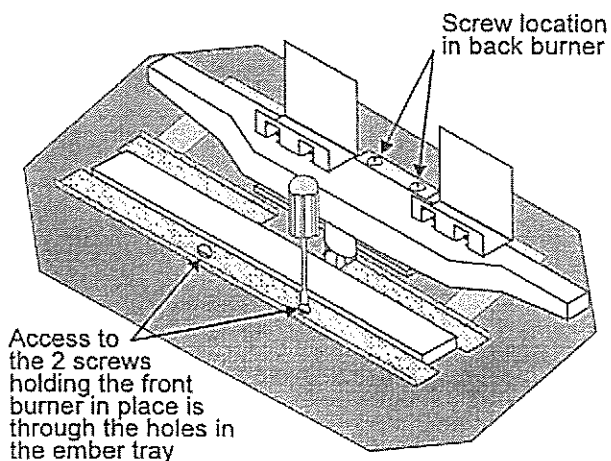


MAINTENANCE

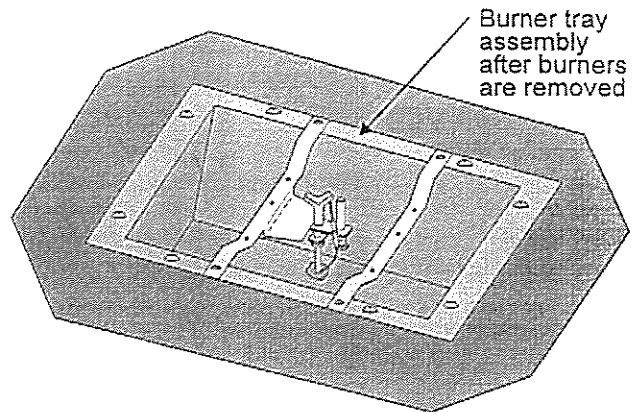
- 6) Remove the two outside frame pieces by removing two screws per side. See diagram below.



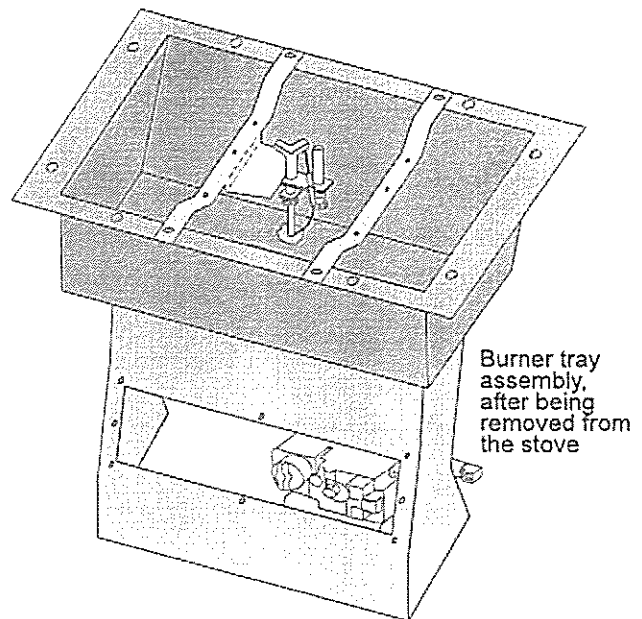
- 7) At this point you should disconnect the gas at the valve. You can access it through the front now that the control panel is off, or you can access it through the rear pedestal cover plate.
8) Carefully remove the logs.
9) Remove both burners. See diagram below.



- 10) Remove all screws holding the burner tray assembly in place.



- 11) Carefully lift the burner tray assembly out. See diagram below.



- 12) To replace the burner tray assembly, simply reverse these instructions. Be sure that the "PILOT" control knob is re-attached in the same position as the "PILOT" control knob that is on the valve.